

A PLACE IN THE GARDEN

SPEC SHEETS - QUBE WATER FEATURES

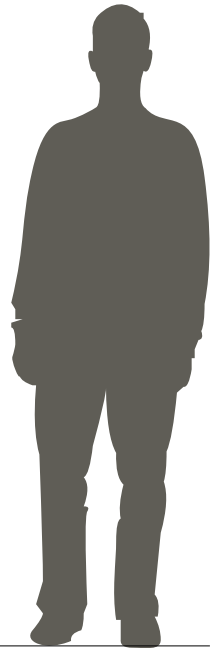


Slim

Pump: Oase Aquarius Universal 6000
Max Flow Rate: 6000 Litres per hour
45W - 240 V
Pump Power - 10m Cable from pump,
no plug top.

Square

Pump: Oase Aquarius Universal 2000
Max Flow Rate: 2000 Litres per hour
45W - 240 V
Pump Power - 10m Cable from pump,
no plug top.



SLIM

Total Weight with Water - 575kg



SQUARE

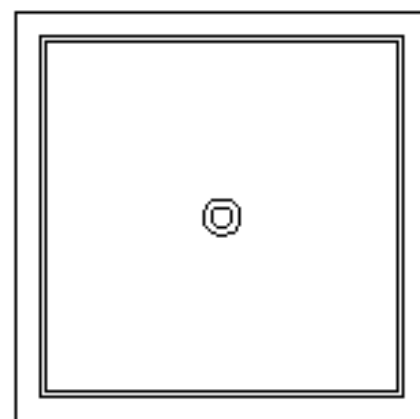
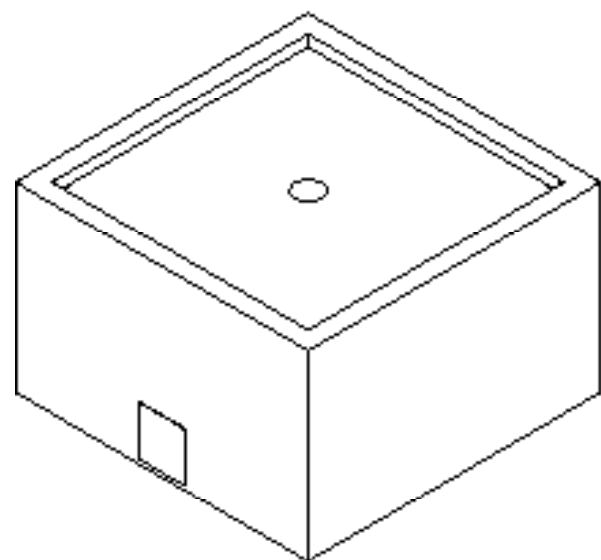
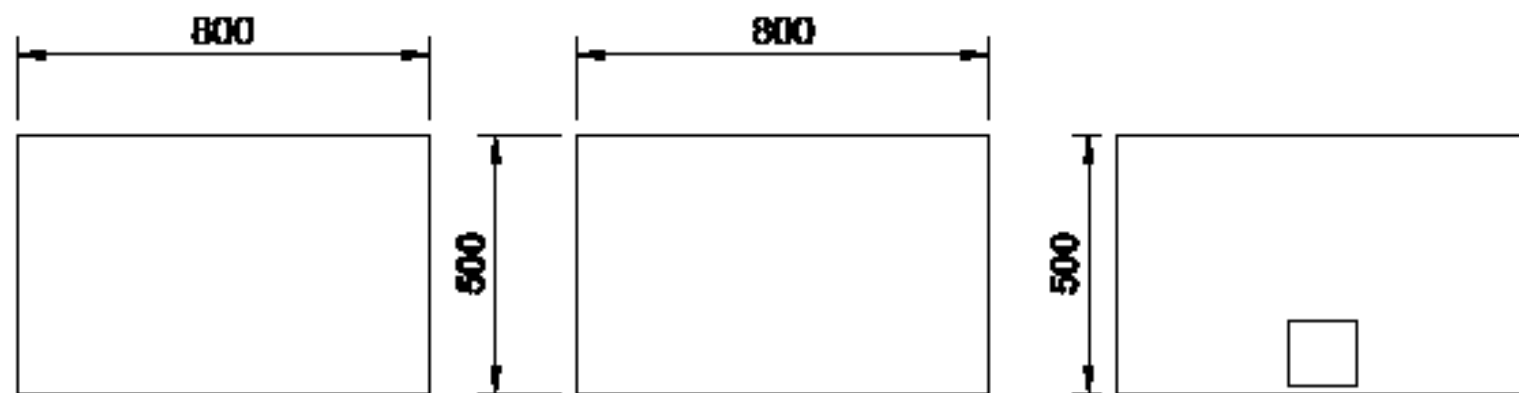
Total Weight with Water - 400kg

The Qube Water Feature is a free standing contemporary fountain that would make an excellent addition to any modern, urban space. This low, wide water feature includes a built in pump, which provides a gentle bubble of water that rises from the centre of the fountain. The Qube is available in two sizes.

Square: 80cm wide, 80cm deep and 40cm high // Weight 72kg.

Slim: 150cm wide, 70cm deep and 40cm high // Weight 85kg.

Qube Square



Qube Slim

