

A PLACE IN THE GARDEN

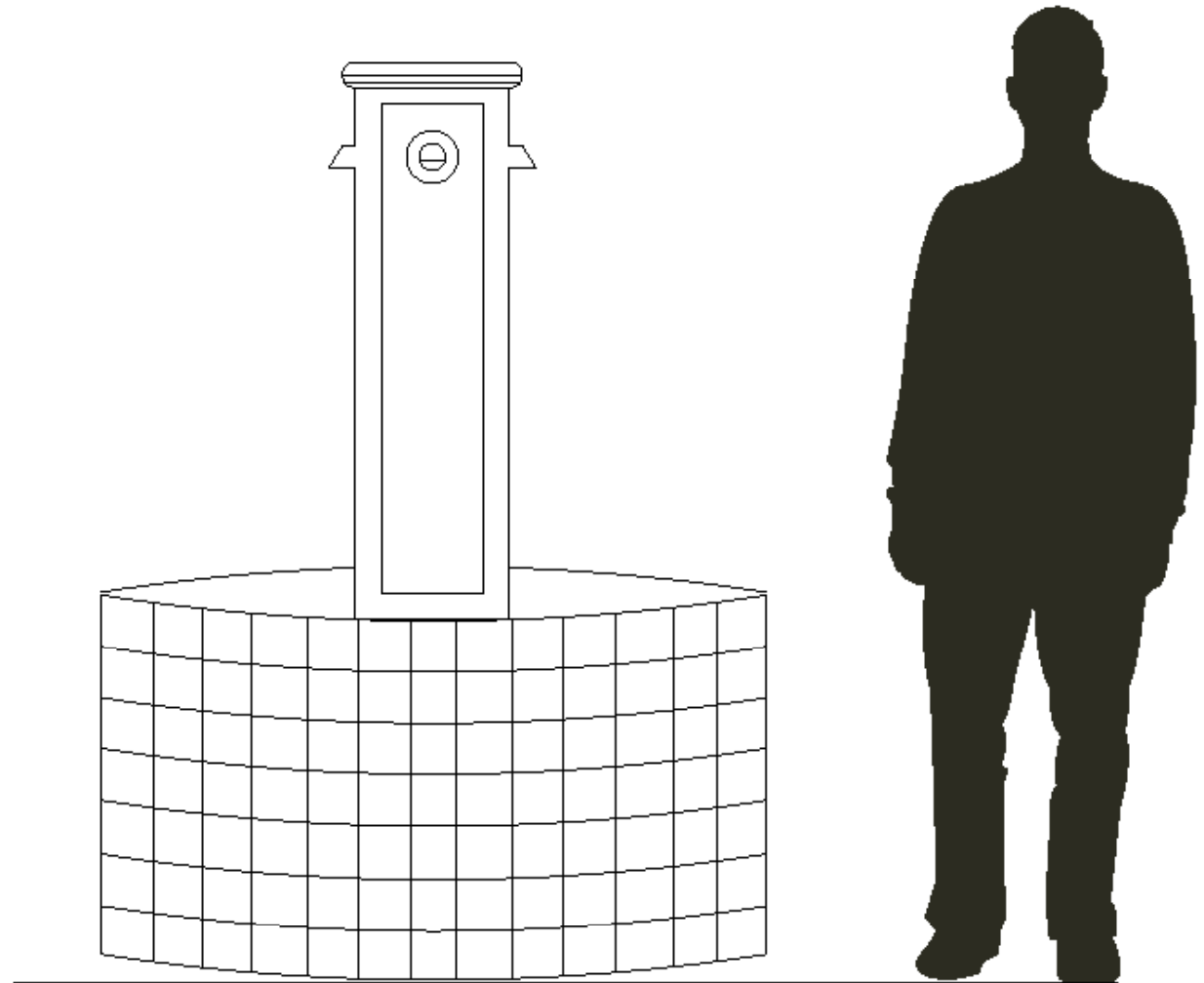
SPEC SHEETS - SIENNA ROUND WATER FEATURE



Round

Pump: Oase Aquarius Universal 6000
Max Flow Rate: 6000 Litres per hour
45W - 240 V
Pump Power - 10m Cable from pump,
no plug top.

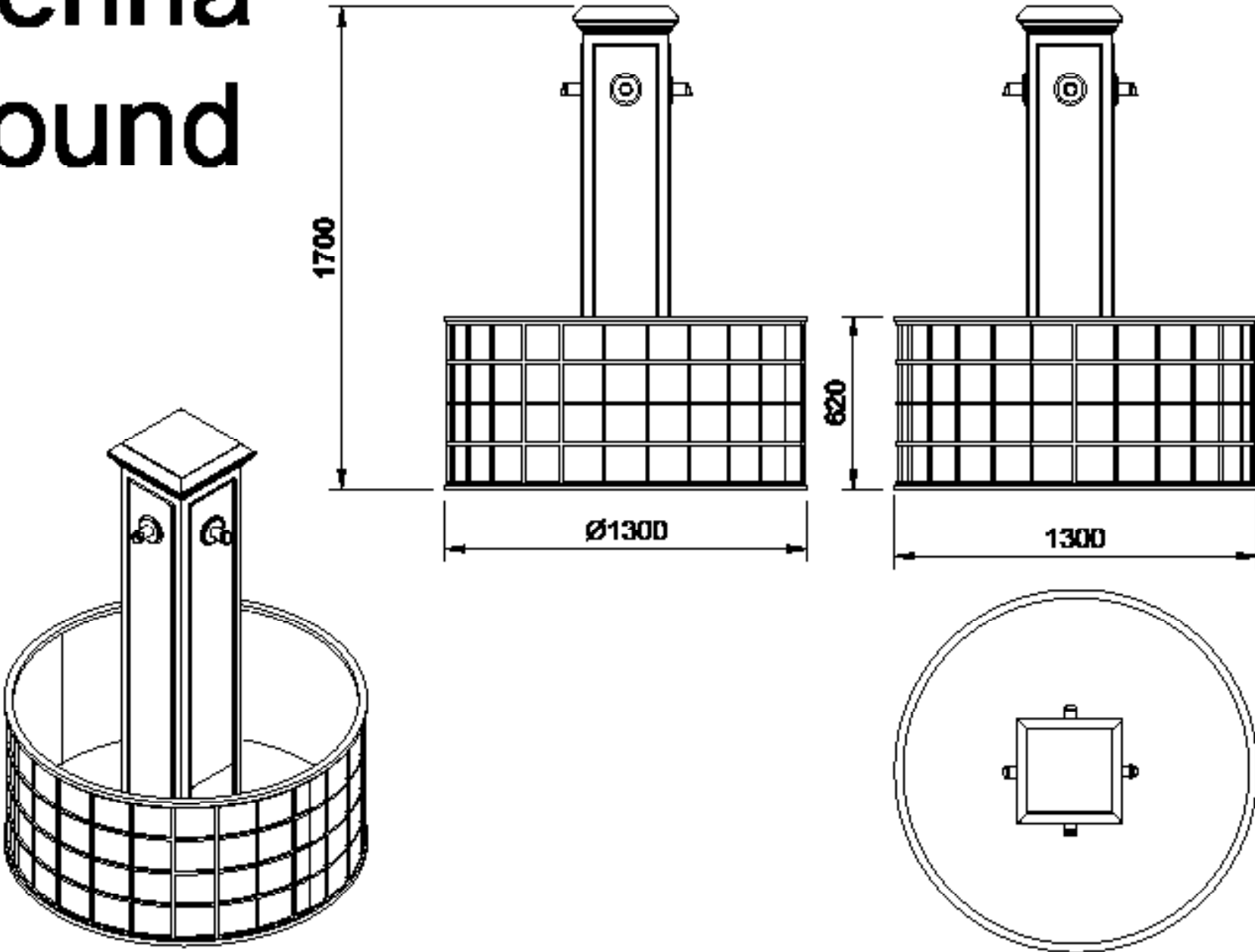
Total Weight with Water - 1050kg



This water feature is completely self contained, so you will not require a water supply to the feature. The Sienna Fountain is available in two designs, the Square and the Round and includes a built in submersible pump.

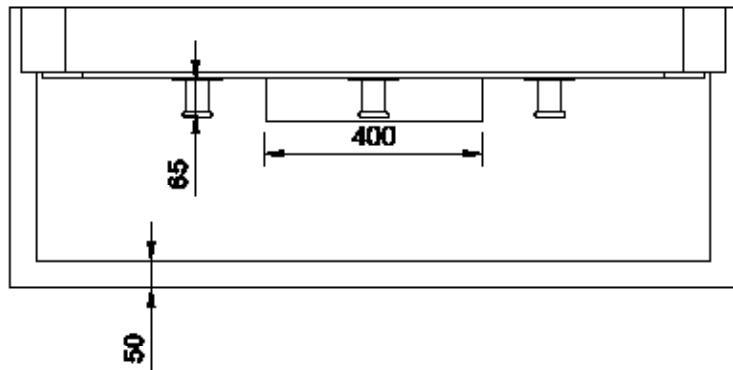
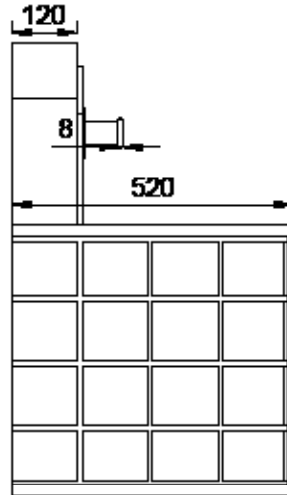
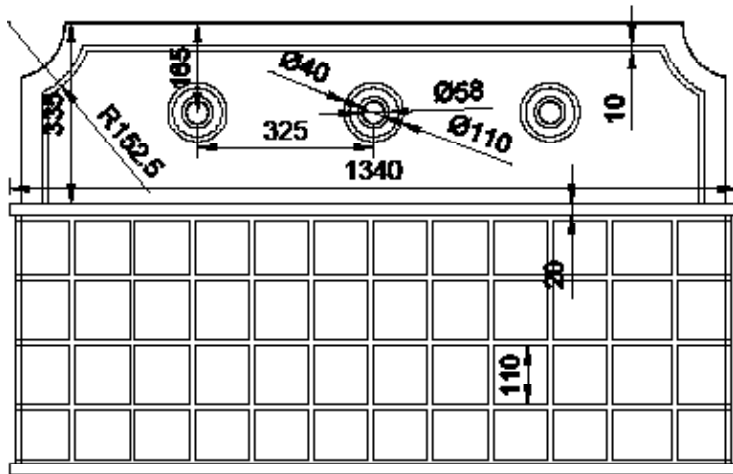
Sienna Round (Code: SIE-WF-R) // 130 cm dia. x 180cm high // Weight 132kg.

Sienna Round



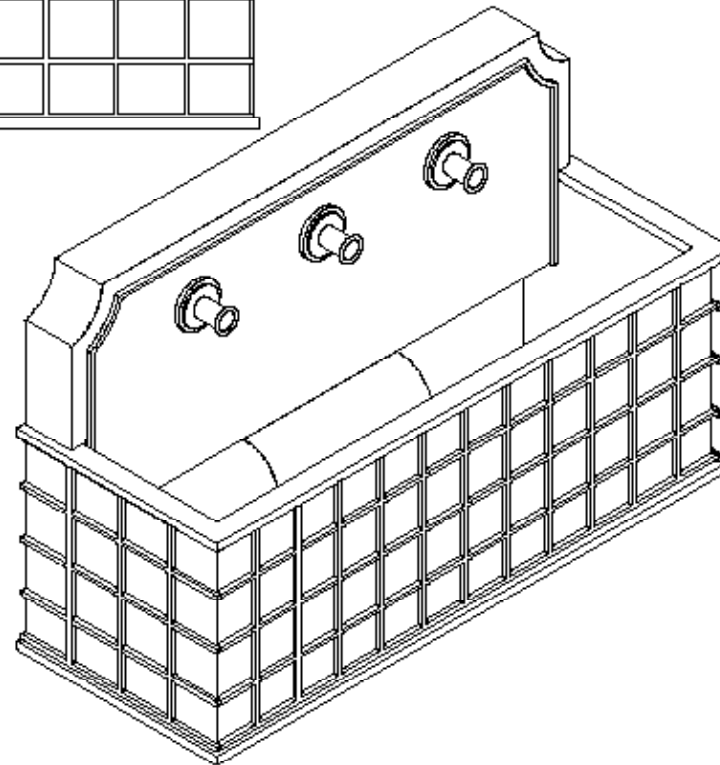
A PLACE IN THE GARDEN

SPEC SHEETS - SIENNA SQUARE WATER FEATURE



This water feature is completely self contained, so you will not require a water supply to the feature.
The Sienna Fountain is available in two designs, the Square and the Round and includes a built in submersible pump.

Sienna Low (Code: SIE-WF-LOW)
134cm wide, 52cm deep, 84cm high // Weight 90kg.

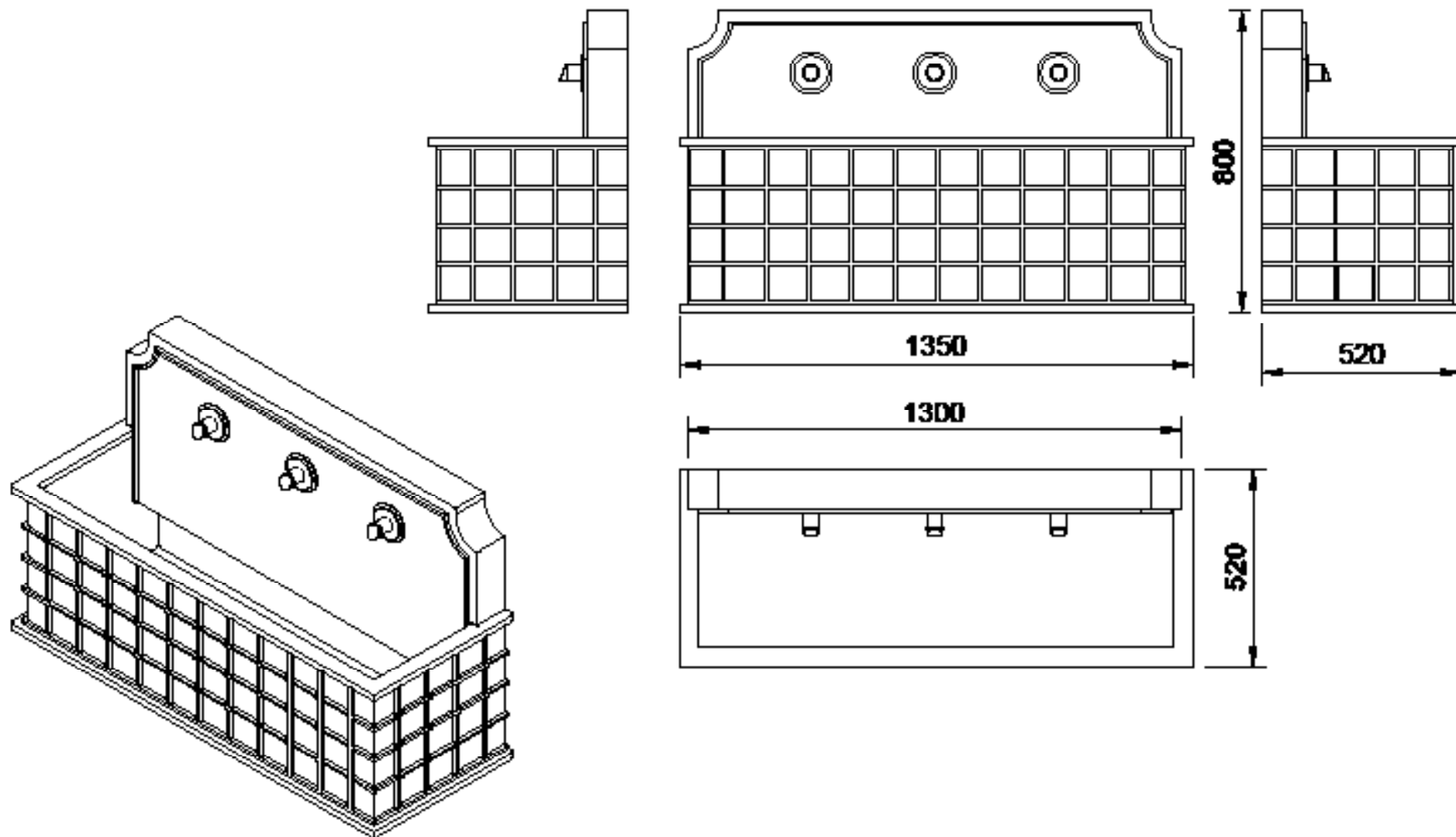


Sienna Low

Pump: Oase Universal 3000
Max Flow Rate: 3000 Litres per hour
45W - 240 V
Pump Power - 10m Cable, no 3 pin
plug

Total Weight with Water - 430kg

Sienna Low



A PLACE IN THE GARDEN

SPEC SHEETS - SIENNA SQUARE WATER FEATURE

Dimensions:
100cm W x 50cm D x 120cm H

Pump Info:

Pump: Oase Universal 3000
Max Flow Rate: 3000 Litres per hour
45W - 240 V
Pump Power - 10m Cable only, no 3 pin
plug attached.

Approx. Weight with Water - 295kg

